



Experience Innovation

Name: 8" Vacuum-Assisted Heavy Duty Trash Pump

Model: 8V

With its heavy-duty cast-iron construction and fast priming capabilities, the Thompson 8V solids handling pump leads the industry in construction, industrial and municipal applications. The Thompson 8V is designed for flows to 2,550 gpm and heads to 143 feet making it perfect for sewage bypass pumping or general construction dewatering.



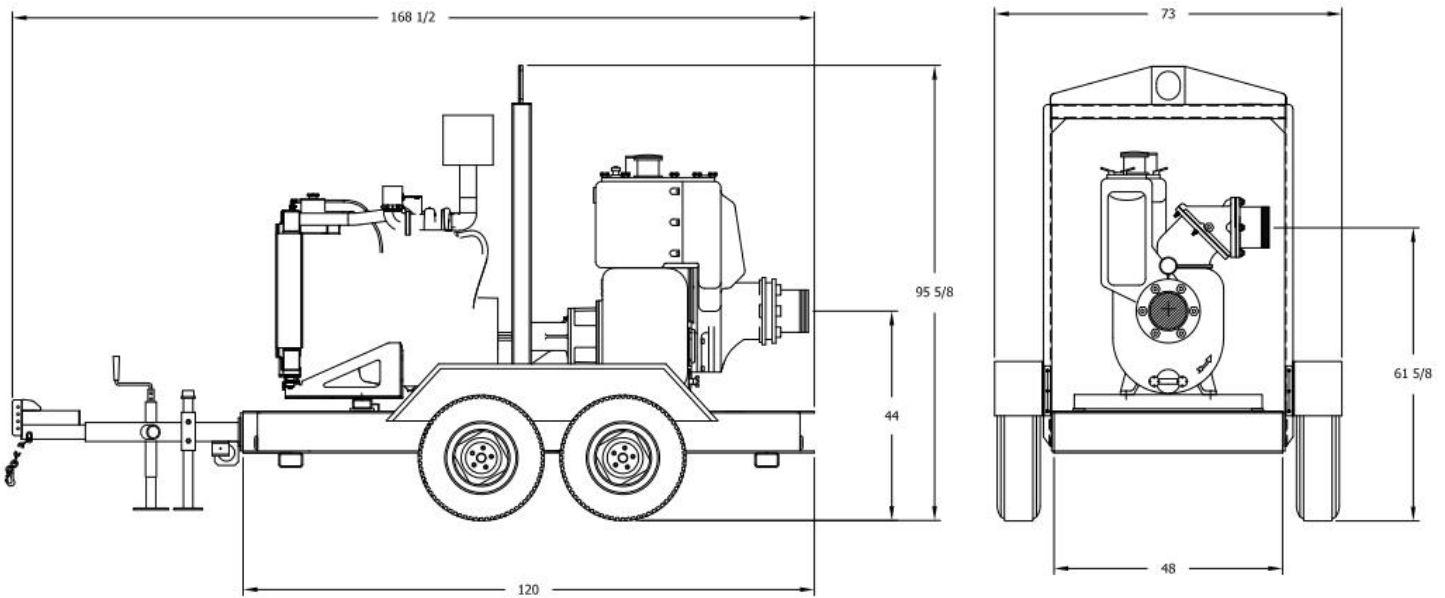
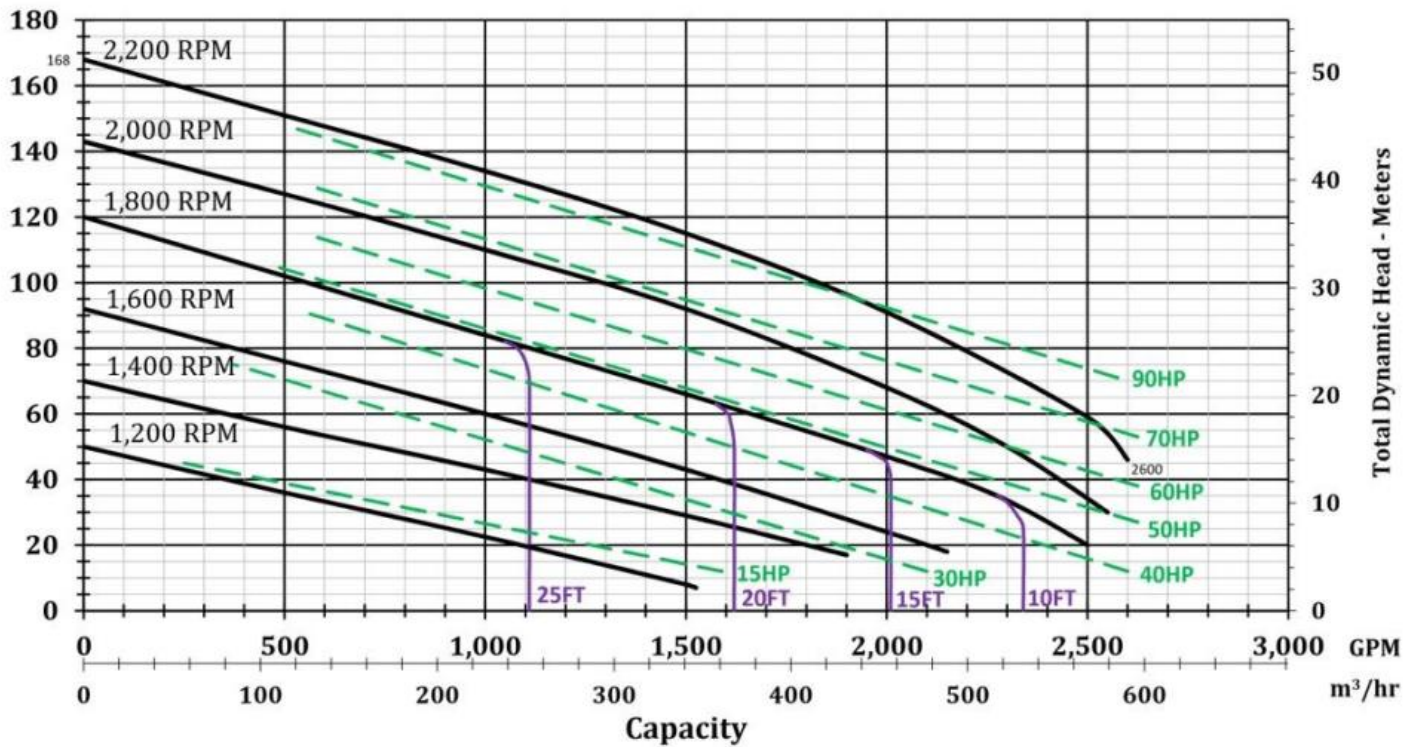
Photo shown may not be exact model.

Consult factory for options.

Pump End Materials	
Pump Casing	Heavy-duty class 30 cast-iron volute with replaceable wear plate.
Impeller	Dynamically balanced, two-vane, non-clogging, semi-open, ductile iron, with rear-equalizing vanes. Diameter 11.75".
Mechanical Seal	65 mm type AR3, grease or oil lubricated with Tungsten Carbide rotating and stationary seal faces. Single, inside mounted, non-pusher type with self-adjusting elastomeric bellows.
Head	Rugged, back pull out design, heavy-duty class 30 cast iron with tapered bore design.
Bearings & Frame	Heavy-duty grease lubricated to carry both axial and radial loads. Frame is heavy-duty class 30 cast iron.
Shaft	Constructed of high quality carbon steel with a 304 stainless steel shaft sleeve.
Suction Check Valve	Built in weighted, full-flow valve to eliminate re-priming with each cycle.

Technical Specifications			
Suction Size	8 in (20.32 cm)	Approximate Dry Weight	4,300 lbs (1,950.45kg)
Discharge Size	8 in (20.32 cm)	Best Efficiency	71%
Maximum Solids Handling	3 in (7.62 cm)	Maximum Operating Speed	2,000 rpm
Maximum Operating Temperature	200° F (93.33° C)	Maximum Operating Pressure	61.9 psi (426.82 kPa)

Fuel Tank Options	Kohler	Deutz
Integral	67 Gal	33 Hours



Kohler CK25KDI—74 hp @ 2,400 rpm				
Typical Operating Speed	2,000 rpm	Engine Speed	Fuel Economy	Run Time*
Maximum Head	143 ft (31.7 m)	2,000 rpm	0.356 lb/hp-hr	17 hrs
Maximum Flow Capacity	2,550 gpm (324.6 m³/hr)	1,800 rpm	0.353 lb/hp-hr	23 hrs
Maximum Fuel Consumption	3.81 gph (14.42 L/hr)	1,600 rpm	0.350 lb/hp-hr	34 hrs

Deutz TD3.6L4—74 hp @ 2,400 rpm				
Typical Operating Speed	2,000 rpm	Engine Speed	Fuel Economy	Run Time*
Maximum Head	143 ft (31.7 m)	2,000 rpm	0.370 lb/hp-hr	16 hrs
Maximum Flow Capacity	2,550 gpm (324.6 m³/hr)	1,800 rpm	0.363 lb/hp-hr	23 hrs
Maximum Fuel Consumption	3.96 gph (14.99 L/hr)	1,600 rpm	0.358 lb/hp-hr	33 hrs

*Engine run times calculated based on a 67 gallon fuel tank.

Specifications and illustrations are subject to revision without notice and without incurring any obligation for previous or subsequent equipment sold. Thompson Pump (ISO 9001:2015) makes no representation regarding the completeness or accuracy of this information and is not liable for any direct or indirect damages arising from or relating to this information or its use. Capacity & Head are shown for comparative purposes. Consult Thompson factory for exact capabilities.