



Experience Innovation

Model: 4" Double Diaphragm Pump

Name: 4D

Diaphragm pumps are ideally suited for construction, municipal and industrial applications. The 4D is perfect for pumping muddy water, sludge or any liquid with a high percentage of solids. One of its best features is the ability to run dry indefinitely without damage.

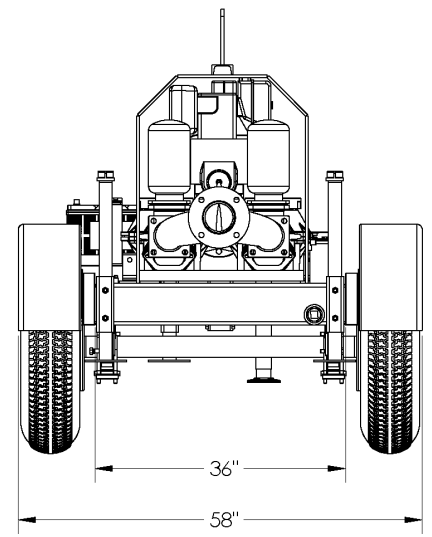
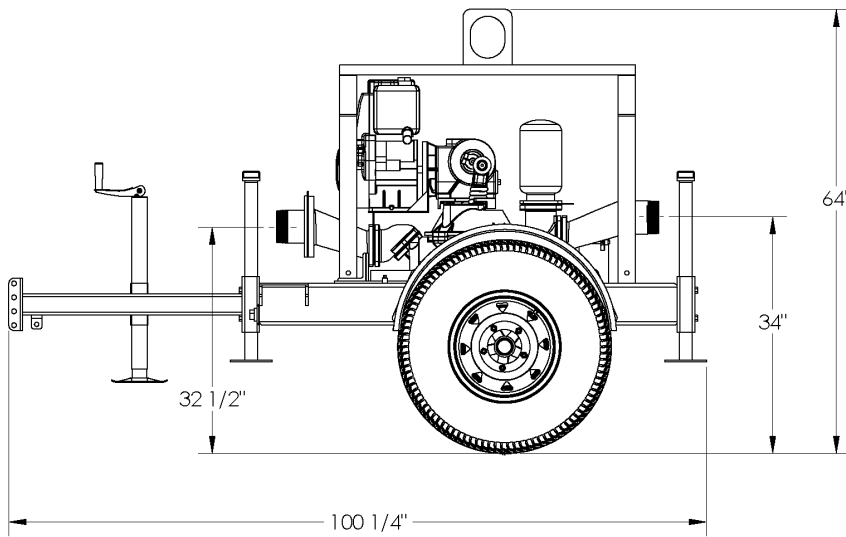
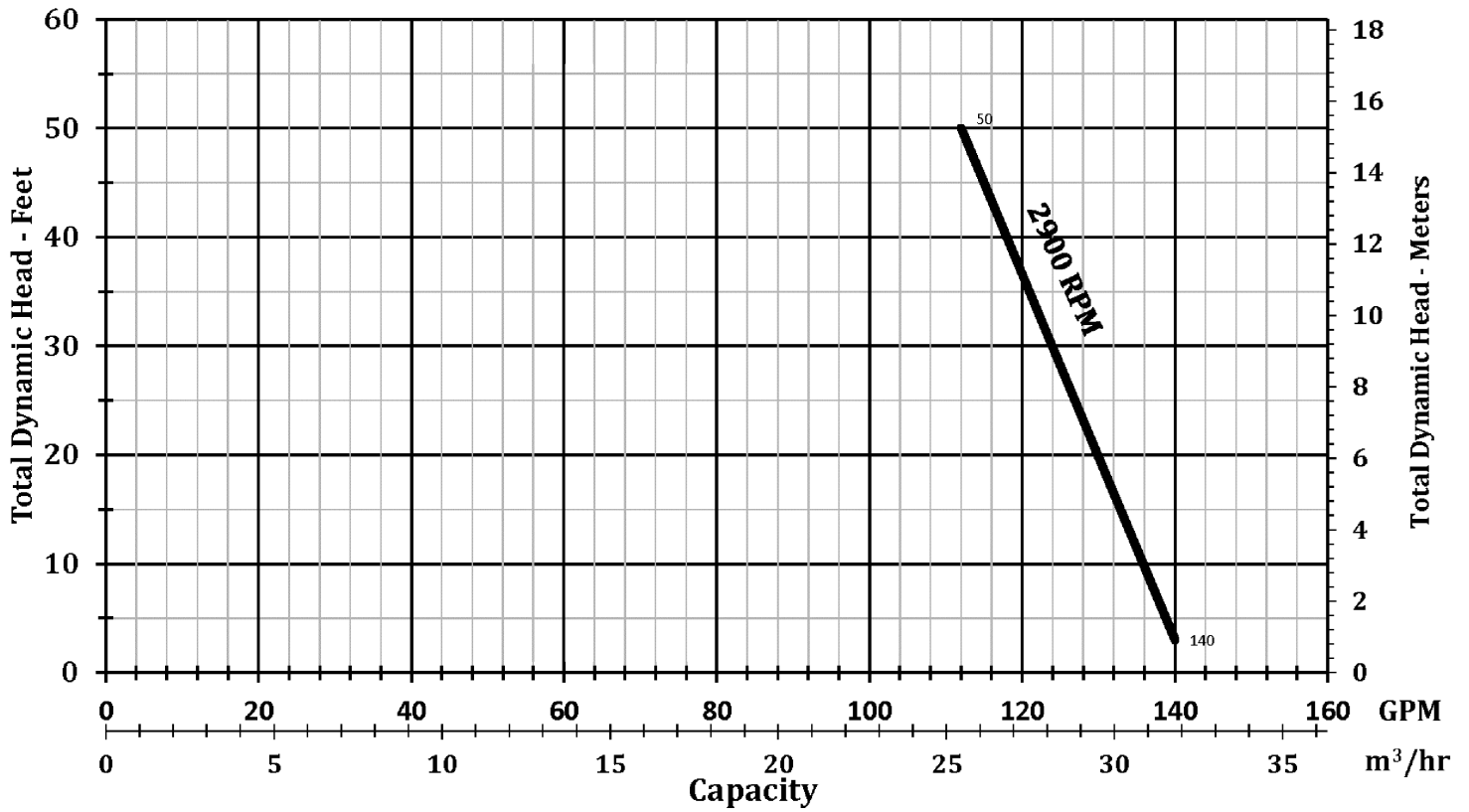


Photo shown may not be exact model.

Consult factory for options.

Pump End Materials	
Pump Casing	Rugged, heavy-duty class 30 cast iron with integral solids channel and drain valve
Top Housing	ASTM A-36 steel
Diaphragm	Dry running, neoprene with nylon cloth insert, field replaceable
Connecting Rod and Plate	Constructed of rigid type cast aluminum, available with spring loaded connecting rods, with self lubricating bearings. Cast aluminum plate.
Eccentric Crank and Bearing	Class 30 cast iron with needle roller type bearing.
Clappets	Dry running, non-clogging flapper style, neoprene with class 30 cast iron weighted insert, field replaceable
Suction & Delivery	Cast Aluminum
Manifolds	Class 30 cast iron
Surge Suppression Chamber	ASTM A-36 threaded to suction for water hammer and shock protection
Gaskets	Neoprene
Eccentric Guard	ASTM A-36 steel

Technical Specifications			
Suction Size	4 in (10.16 cm)	Approximate Dry Weight	150 lbs (68.04 kg)
Discharge Size	4 in (10.16 cm)	Fuel Capacity	2.1 Qts. (1.99 L)
Maximum Solids Handling	2 in (5.08 cm)	Maximum Operating Speed	68 strokes/min
Maximum Operating Temperature	200° F (93.33° C)	Maximum Operating Pressure	30 psi (149 kPa)



Honda 1B30X2 — 6.3 hp @ 2,900 rpm

Typical Operating Speed	2,900 rpm
Maximum Head	50 ft (15.24 m)
Maximum Flow Capacity	140 gpm (31.78 m³/hr)

Specifications and illustrations are subject to revision without notice and without incurring any obligation for previous or subsequent equipment sold. Thompson Pump (ISO 9001:2015) makes no representation regarding the completeness or accuracy of this information and is not liable for any direct or indirect damages arising from or relating to this information or its use. Capacity & Head are shown for comparative purposes. Consult Thompson factory for exact capabilities.